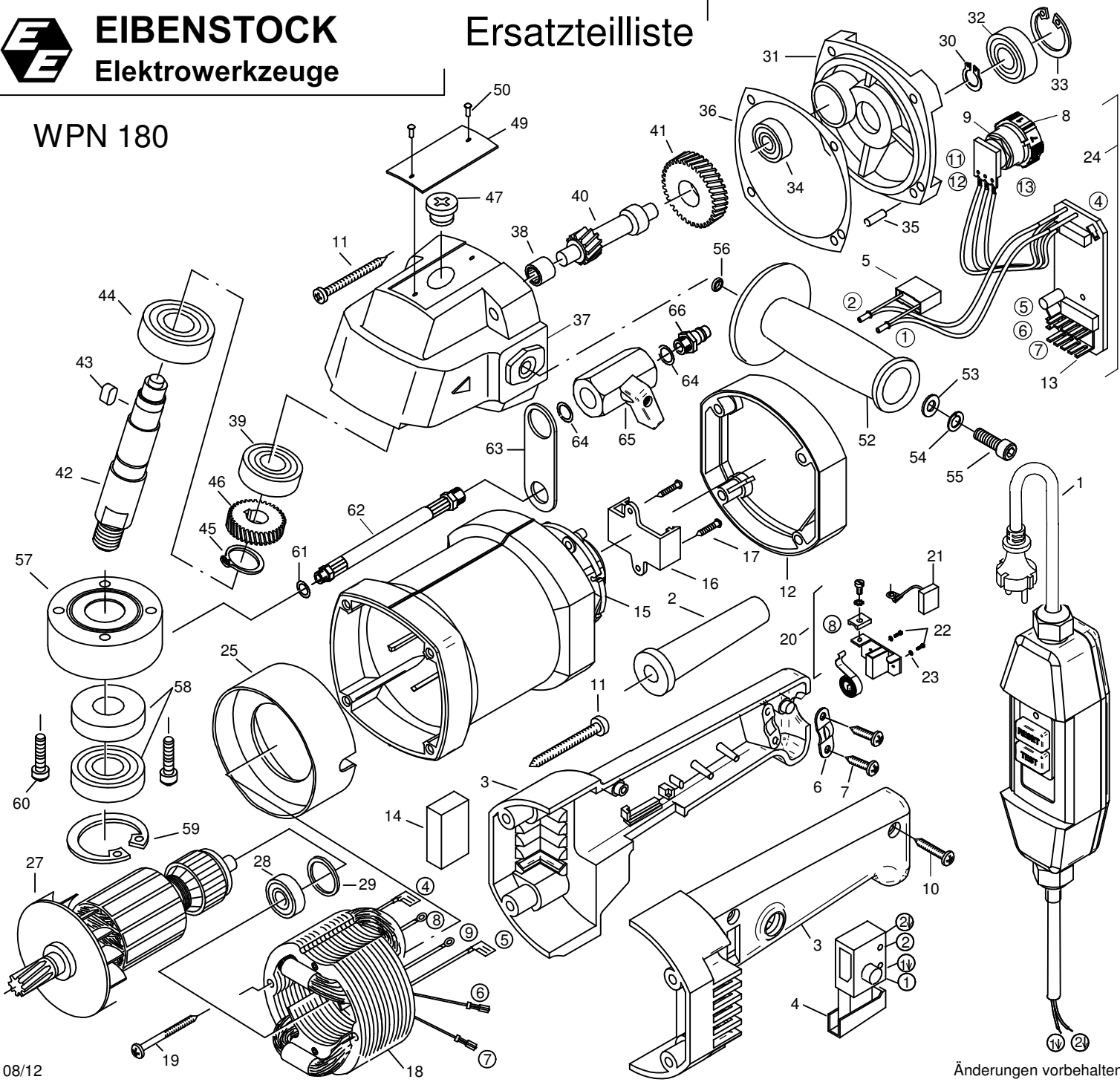




EIBENSTOCK
Elektrowerkzeuge

Ersatzteilliste

WPN 180



08/12

Änderungen vorbehalten!

WPN 180 - 230 V

05710000

| Nr. | Bezeichnung | Bestellnr. | Stk | Nr. | Bezeichnung | Bestellnr. | Stk |
|-----|------------------------------|------------|-----|-----|---------------------------|------------|-----|
| 1 | Anschlußleitung mit PRCD, 5m | 7570C262 | 1 | 34 | Rillenkugellager 608 | 80410010 | 1 |
| 2 | Kabelausführungsmuffe | 83000004 | 1 | 35 | Steckkerbstift 4x12 | 80200582 | 1 |
| 3 | Griffkappen | 80901028 | 1 | 36 | Getriebedichtung | 82000503 | 1 |
| 4 | Einbauschalte | 80600507 | 1 | 37 | Getriebegehäuse, schwarz | 75613400 | 1 |
| 5 | Entstörkondensator | 80500010 | 1 | 38 | Nadelhülse HK 0810 | 80420110 | 1 |
| 6 | Zugentlastungsschelle | 85000020 | 1 | 39 | Rillenkugellager 6001 2RS | 80410032 | 1 |
| 7 | Blechschrabe HC 4,2x13 | 80201270 | 2 | 40 | Schraubgetriebewelle | 75610500 | 1 |
| 8 | Stellrad, grün | 75613231 | 1 | 41 | Zwischenrad | 75610510 | 1 |
| 9 | Drehwiderstand 100 K Ohm | 80500020 | 1 | 42 | Arbeitsspindel | 75710420 | 1 |
| 10 | Blechschrabe HC 4,2x22 | 80201272 | 3 | 43 | Paßfeder 5x5x12 | 80200601 | 1 |
| 11 | Blechschrabe HC 4,8x50 | 80201284 | 8 | 44 | Rillenkugellager 6203 2RS | 80410130 | 1 |
| 12 | Zwischenstück | 80901000 | 1 | 45 | Sicherungsring 17/1 | 80201323 | 1 |
| 13 | Leiterplatte | 75613280 | 1 | 46 | Spindelrad | 75610430 | 1 |
| 14 | Füllstück | 80600306 | 1 | 47 | Blindverschraubung PG 11 | 80900003 | 1 |
| 15 | Motorgehäuse | 80900088 | 1 | 48 | | | |
| 16 | Halteung für Leiterplatte | 75613270 | 1 | 49 | Abdeckung | 82000040 | 1 |
| 17 | Blechschrabe HC 2,9x13 | 80201252 | 2 | 50 | Halbrundkerbnagel 2x5 | 80200594 | 2 |
| 18 | Polring, kpl. | 75613150 | 1 | 51 | | | |
| 19 | Blechschrabe HC 3,9x60 | 80201266 | 2 | 52 | Handgriff | 80901011 | 1 |
| 20 | Taschenbürstenhalter, kpl. | 80201196 | 2 | 53 | Scheibe 6,4 | 80201375 | 1 |
| 21 | Kohlebürste, kpl. 6,3x10x18 | 80700013 | 2 | 54 | Federring A6 | 80201303 | 1 |
| 22 | Gewindefurchschraube CM4x12 | 80201180 | 4 | 55 | Zylinderschraube M6x16 | 80201210 | 1 |
| 23 | Federscheibe B4 gewellt | 80201385 | 4 | 56 | O-Ring 4,9x1,9 | 83000035 | 1 |
| 24 | Leiterplatte, kpl. | 7561328U | 1 | 57 | Wasserzuführung | 75710405 | 1 |
| 25 | Luftleitring | 80900017 | 1 | 58 | Wellendichtring 20x35x7 | 83000034 | 2 |
| 26 | | | | 59 | Sicherungsring 35/1,5 | 80201334 | 1 |
| 27 | Läufer, kpl. | 75613100 | 1 | 60 | Zylinderschraube M5x25 | 80201127 | 4 |
| 28 | Rillenkugellager 608 2Z | 80410011 | 1 | 61 | Dichtring 1/8" | 83000106 | 1 |
| 29 | O-Ring 22x2,5 | 83000036 | 1 | 62 | Anschlußschlauch | 83000122 | 1 |
| 30 | Sicherungsring 10/1 | 80201305 | 1 | 63 | Befestigungsblech | 85000031 | 1 |
| 31 | Getriebelegerschild, grün | 75613610 | 1 | 64 | Dichtring 1/4" | 83000107 | 2 |
| 32 | Rillenkugellager 6001 2Z | 80410031 | 1 | 65 | Minikugelhahn | 83000117 | 1 |
| 33 | Sicherungsring 28/1,2 | 80201333 | 1 | 66 | Anschlußstück Gardena Ms | 83000124 | 1 |

WPN 180 - 230 V

05710000

| No. | Description | Order No. | Pcs | No. | Description | Order No. | Pcs |
|-----|------------------------------|-----------|-----|-----|-------------------------------|-----------|-----|
| 1 | connecting cable | 7570C262 | 1 | 34 | grooved ball bearing 608 | 80410010 | 1 |
| 2 | cable grommet | 83000004 | 1 | 35 | notched pin plug 4x12 | 80200582 | 1 |
| 3 | pair of handle halves | 80901028 | 1 | 36 | gearbox seal | 82000503 | 1 |
| 4 | switch | 80600507 | 1 | 37 | gearbox housing black | 75613400 | 1 |
| 5 | anti parasite condenser | 80500010 | 1 | 38 | needle sleeve HK 0810 | 80420110 | 1 |
| 6 | wire locking flange | 85000020 | 1 | 39 | grooved ball bearing 6001 2RS | 80410032 | 1 |
| 7 | self tapping screw HC 4,2x13 | 80201270 | 2 | 40 | screw seal | 75610500 | 1 |
| 8 | adjusting wheel | 75613231 | 1 | 41 | intermediate wheel | 75610510 | 1 |
| 9 | potentiometer 100 K Ohm | 80500020 | 1 | 42 | work spindle | 75710420 | 1 |
| 10 | self tapping screw HC 4,2x22 | 80201272 | 3 | 43 | fitting key A5x5x12 | 80200601 | 1 |
| 11 | self tapping screw HC 4,8x50 | 80201284 | 8 | 44 | grooved ball bearing 6203 2RS | 80410130 | 1 |
| 12 | intermediate block | 80901000 | 1 | 45 | locking ring 17/1 | 80201323 | 1 |
| 13 | PCB / circuit board | 75613280 | 1 | 46 | spindle wheel | 75610430 | 1 |
| 14 | foam filler | 80600306 | 1 | 47 | blind plug PG 11 | 80900003 | 1 |
| 15 | motor housing | 80900088 | 1 | 48 | | | |
| 16 | fastener | 75613270 | 1 | 49 | cover | 82000040 | 1 |
| 17 | self tapping screw HC 2,9x13 | 80201252 | 2 | 50 | notched pin 2x5 | 80200594 | 2 |
| 18 | stator complete | 75613150 | 1 | 51 | | | |
| 19 | self tapping screw HC 3,9x60 | 80201266 | 2 | 52 | handle | 80901011 | 1 |
| 20 | brush holder | 80201196 | 2 | 53 | disc 6,4 | 80201375 | 1 |
| 21 | carbon brush 6,3x10x18 | 80700013 | 2 | 54 | lock washer A6 | 80201303 | 1 |
| 22 | self tapping screw CM4x12 | 80201180 | 4 | 55 | lens head screw HM 6x16 | 80201210 | 1 |
| 23 | lock washer B4 | 80201385 | 4 | 56 | o-ring 4,9x1,9 | 83000035 | 1 |
| 24 | PCB / circuit board complete | 7561328U | 1 | 57 | water supply unit | 75710405 | 1 |
| 25 | air guiding ring | 80900017 | 1 | 58 | shaft seal ring 20x35x7 | 83000034 | 2 |
| 26 | | | | 59 | locking ring 35/1,5 | 80201334 | 1 |
| 27 | rotor complete | 75613100 | 1 | 60 | screw M5x25 | 80201127 | 4 |
| 28 | grooved ball bearing 608 2Z | 80410011 | 1 | 61 | seal ring 1/8" | 83000106 | 1 |
| 29 | o-ring 22x2,5 | 83000036 | 1 | 62 | connecting hose | 83000122 | 1 |
| 30 | locking ring 10/1 | 80201305 | 1 | 63 | mounting panel | 85000031 | 1 |
| 31 | end shield of gearing green | 75613610 | 1 | 64 | seal ring 1/4" | 83000107 | 2 |
| 32 | grooved ball bearing 6001 2Z | 80410031 | 1 | 65 | mini ball valve | 83000117 | 1 |
| 33 | locking ring 28/1,2 | 80201333 | 1 | 66 | connecting piece | 83000124 | 1 |